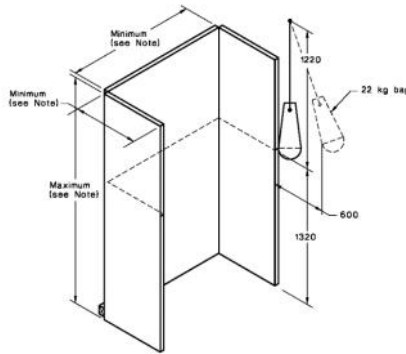


Product Presentation



Application

This tester is used for testing the horizontal impact stability of furnitures. Is a comprehensive model of LD02 and LD04, including basketball impact device and sandbag impact device.

Feature:

1. The tester floor can be easily installed in the mechanical performance tester floor, can also be fixed on the ground with expansion screws.
2. The column frame is made of 80x80mm high quality industrial aluminum, beautiful and generous.
3. Standard basketball shock head, shock head weight can be accumulated to change the weight.
4. Impact test height can be adjusted in the range of 200 ~ 1600mm, a wide range of product adaptability.
5. Standard sandbag impact head, height adjustable.

Standards

AS NZS 4443 Test K, AS NZS 4610.3 Test O

Key Specification

Model	GT-LD05
Impact bags	Diam: \varnothing 200mm
	Weight: 22 kg
Basketball impact head	Weight: Max. 50kg
	Cycloid length: 85 \pm 5cm
	Pressure inside the basketball: 73.5 \pm 5kpa
Standard Accessories	Stops 2 pcs